

Nycklingen med RRC inbyggd keyer fungerar felfritt, oberoende av vilket utgång jag använder av Out 0, 1, 2 (RJ45 stift 5, 6, 3.)

Med en IC706Mk2G och RRC version 1 med senaste firmware fungerar dessutom den lokalt genererade tonen felfritt i radions högtalare. Tonen är ställbar i tonhöjd och styrka och låter riktigt behagligt, inget vasst eller fyrkantigt.

Radion ställs in för "handpump" och RRC keyer sköter paddel och tongenerering.

#### RRC-1258: Radio [Radio]

The screenshot shows the Microbit web interface for the RRC-1258 radio. The left sidebar contains navigation links: Info, Status, IP settings, Radio settings, Serial settings, Advanced settings, DynDNS settings, Keyer settings, and IO settings. The main area displays the IO settings for three outputs (OUT0, OUT1, OUT2). OUT0 mode is set to 'Keyer', and its output is connected to RJ45 pin 1. The other two outputs are set to 'I/O' mode. A table on the right lists the RJ45 pin colors and standards: Pin 1 (Orange/White Tracer, PR 2), Pin 2 (Orange, PR 2), Pin 3 (Green/White Tracer, PR 3), Pin 4 (Blue, PR 1), Pin 5 (Blue/White Tracer, PR 1), Pin 6 (Green, PR 3), Pin 7 (Brown/White Tracer, PR 4), and Pin 8 (Brown, PR 4). A 'Submit' button is at the bottom.

#### RRC-1258: Radio [Radio]

This screenshot is similar to the first one, but the 'OUT1 mode' is set to 'Keyer' and its output is connected to RJ45 pin 4. The 'OUT0 mode' is set to 'I/O'. The rest of the interface, including the navigation sidebar and the RJ45 pin color table, remains the same.

#### RRC-1258: Radio [Radio]

This screenshot shows the 'OUT2 mode' set to 'Keyer' and its output connected to RJ45 pin 3. The 'OUT0' and 'OUT1' modes are set to 'I/O'. The navigation sidebar and the RJ45 pin color table are consistent with the previous screenshots.

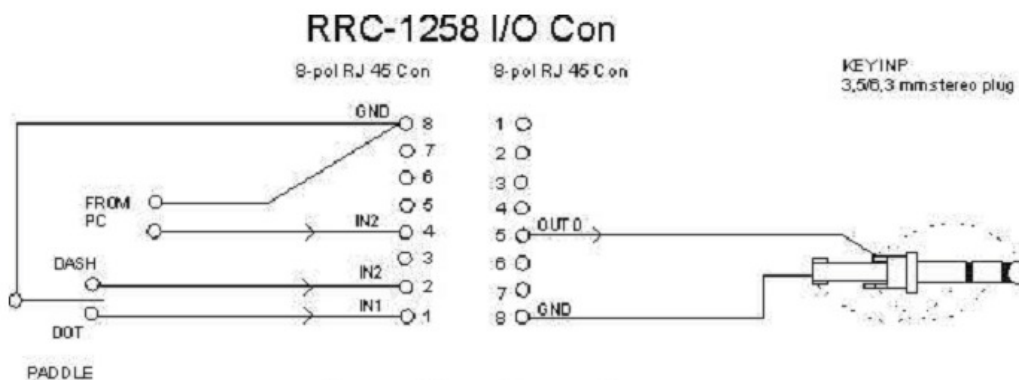
Det går mindre bra med ingången för "Straight Key" på "IN0". Oberoende av inställning på "IN0 mode" händer ingenting då stift 4 i I/O jordas till stift 8. "IN1" och "IN2" fungerar dock felfritt som paddel.

I/O-connector – Control-RRC:

A PC with straight-key functionality or other external keyer can be used to perform keying alone or in combination with a CW-paddle. To activate keying connect pin-4 (IN0) to GND. The external keyer works in parallel with the CW-paddle so it is possible to shift between external keying and the CW-paddle without changing the configuration.

Pin no	I/O (RJ45)
1	IN1, active low (CW-Keyer right-paddle)
2	IN2, active low (CW-Keyer left-paddle)
3	OUT1, open collector
4	IN0, active low (only available at Control-RRC)
5	OUT0 open collector
6	OUT2 open collector
7	8V OUT (max 100mA)
8	GND

Nedanstående koppling från manualen visar "IN2" på stift 4, men det är förmodligen "IN0" enligt övriga tabeller.



Detta är mina nuvarande inställningar, men både med "I/O" och "PTT" på "IN0" mode så uteblir nyckling av sändaren.

#### RRC-1258: Control [Control]

##### Keyer settings

Enable

Speed wpm [0/10-40]

Iambic

Paddle reverse

Weight [25-40]

Side tone hz [500-1500]

Side tone -db [50-0]

Lf delay ms [0-500]

Key delay ms [0-250]

#### RRC-1258: Control [Control]

##### IO settings

IN0 mode

USB RTS as PTT

USB DTR as CW